

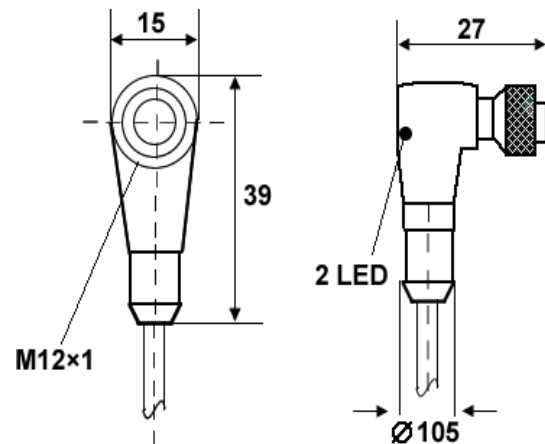
# Cable connector

V1-W-5M-PUR-P-LED

Cable socket, M12, 4-pin, PUR cable



## Dimension



## Technical data

### General specifications

Electrical design	DC PNP
Operating voltage V	10 ... 30 DC
Design	angled
Operating temperature [°C]	-25 ... 80
Protection	IP67
Material body	TPU(urethane)transparent
Material nut	brass;nickel-plated
Tightening torque for knurled nut[Nm]	0.5
Function display(Power LED)	green
Switching status LED	yellow
Connection	PUR cable/5m; 3x0.34mm <sup>2</sup> (42xØ0.1mm);Ø5mm

## Electrical connection 1

