

Active infrared light scanner

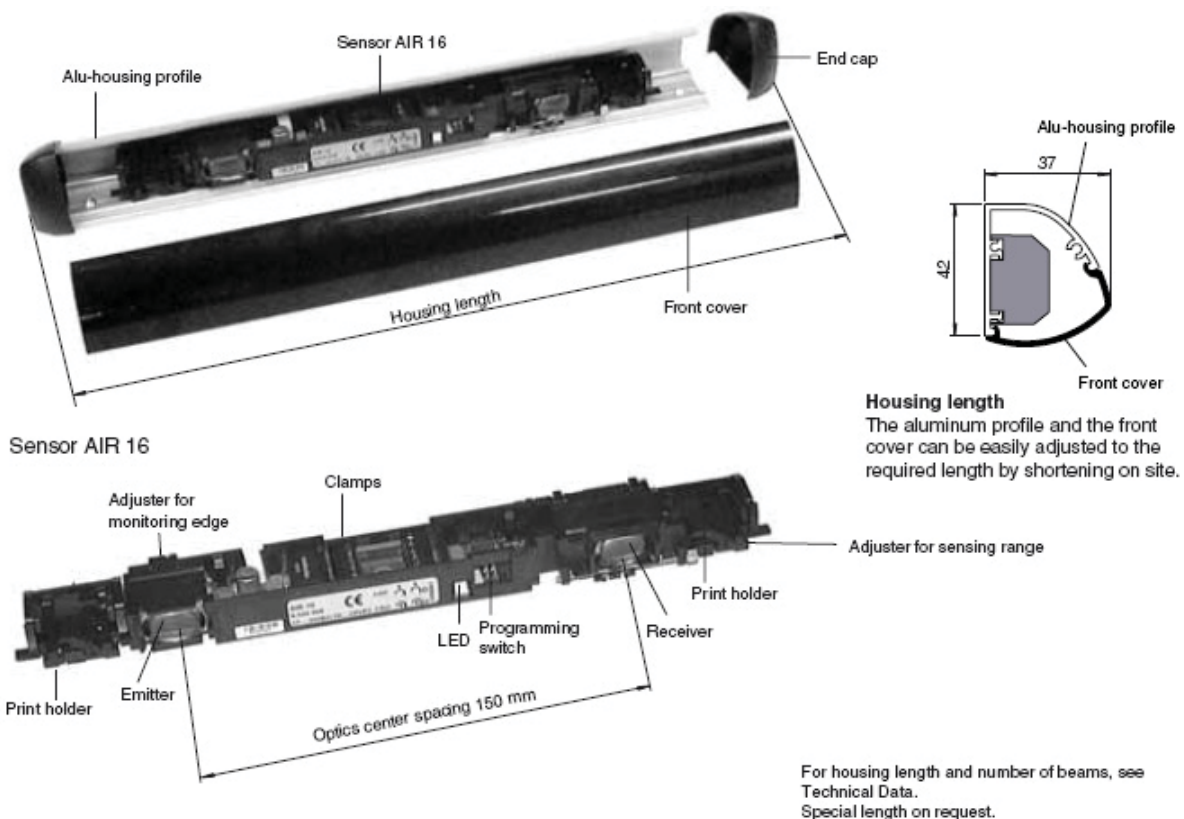
BRI2500-Z330-RD-BG

With terminal compartment



- ◆ Configurable scanner in an aluminium housing, with 1 beam
- ◆ Mechanical adjustable detection range
- ◆ Reversible closing safety
- ◆ Detection in wide passageways
- ◆ Selectable background suppression and evaluation
- ◆ Fast and simple replacement of system parts due to an innovative latching mechanism

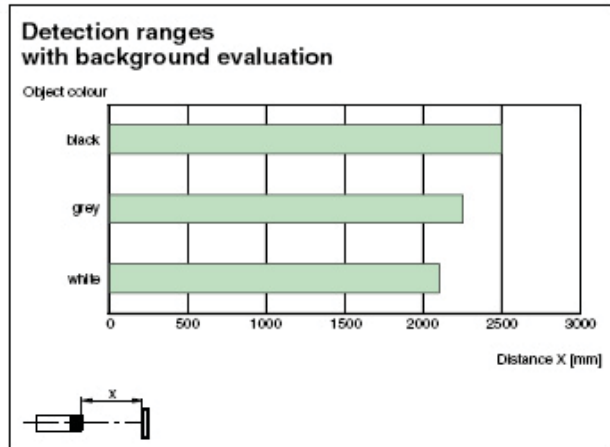
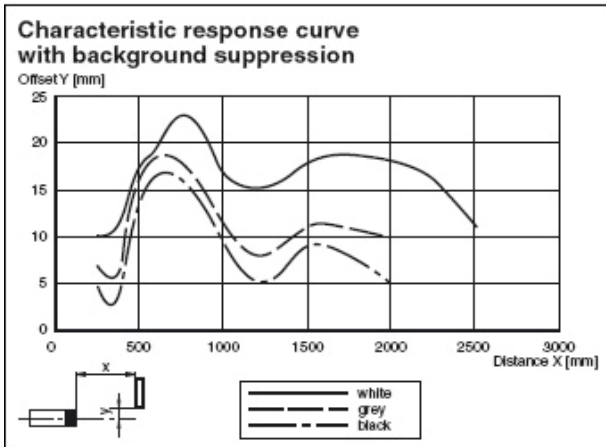
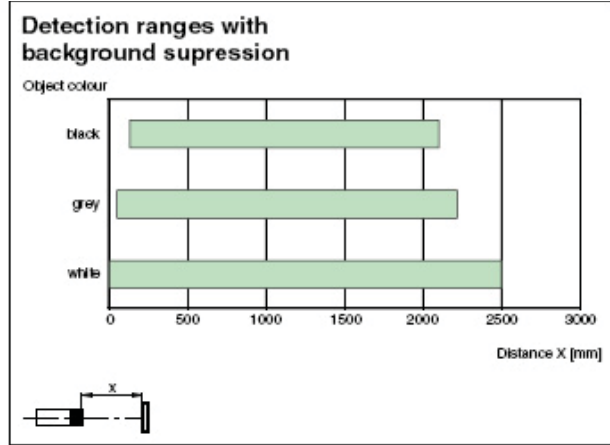
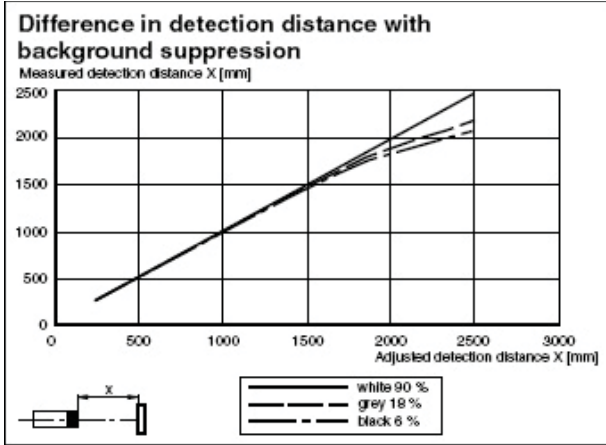
Dimension



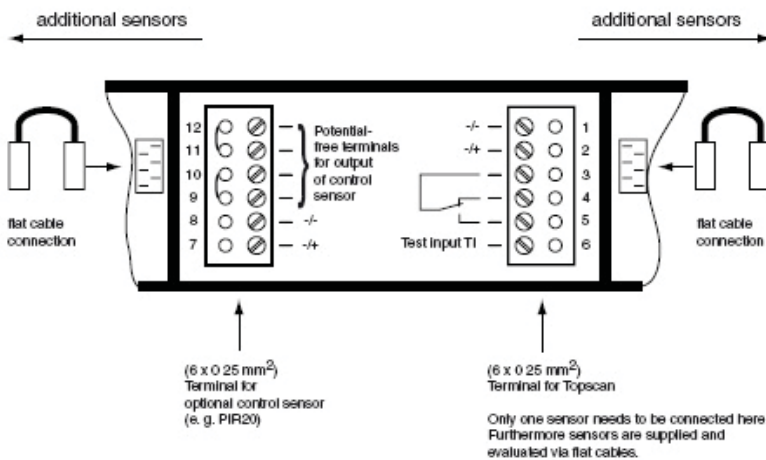
BRI2500-Z330-RD-BG

With terminal compartment

Curves/diagrams



Electrical connection



www.bierpower.com

BIER POWER GMBH

Active infrared light scanner

BRI2500-Z330-RD-BG

With terminal compartment

Technical data

General specifications

Detection range min	0 ... 1500 mm by background evaluation 500 ... 1500 mm by background suppression
Detection range max	0 ... 2500 mm with background evaluation 500 ... 2500 mm with background suppression
Light source	IRED
Black/White difference(6%/90%)	<20% at 2000 mm sensor range
Marking	CE
Number of beams	1 (number of built-in sensor modules AIR 16)
Operating mode	Switching between background suppression/evaluation
Diameter of the light spot	75×75 mm by sensing range 2000 mm

Indicators/operating means

Function display	LED red
Operating elements	Detection range adjuster,light-dark switch, changeover switch fo mode of operation

Electrical specifications

Operating voltage	17 ... 30 VDC,18 ... 28V AC
No-load supply current I_0	<100 mA

Input

Test input	emitter deactivation with $U=17 \dots 30V$ DC only in background evaluation mode of operation
------------	--

Output

Switching type	Light/dark switch
Signal output	Relay,1 alternator
Switching voltage	max. 24 V DC,48VAC
Switching current	≤1A
Response time	30 ms,2 s after test

Standard conformity

Standards	EN 60947-5-2
Standards 2	EN 61000-6-2 without EN 61000-4-5,EN 61000-4-11
Standards 3	EN 61000-6-3

Ambient conditions

Ambient temperature	-20 ... 60°C(253 ... 333K)
---------------------	----------------------------

Mechanical specifications

Length of housing L	330 mm
Mounting height	max.2500
Protection degree	IP52
Connection	screw terminals
Material	
Housing	aluminium/ABS
Optical face	PMMA
Mass	approx.200g